

ARA, ARB SERIES

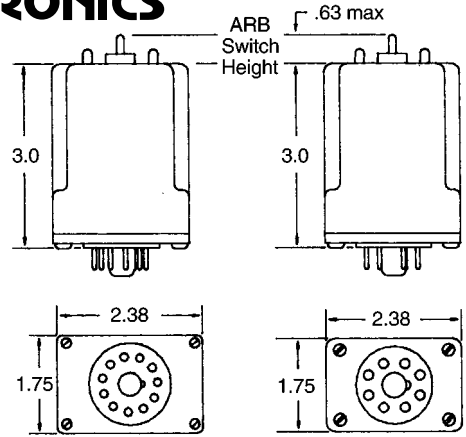


DIVERSIFIED ELECTRONICS

Duplexor



DIMENSIONS INCHES



OPERATION

The Duplexor is used in control panels where two loads are required to alternate to provide equal run time on the loads. The alternating action is initiated by a control switch, which is common with one side of the control voltage. The output contacts will change states each time the control switch is opened, thus alternating the two loads. The LED indicators show the position of the output relay.

The ARA series is the standard Duplexor providing automatic alternating sequence. The ARB has the automatic sequencing feature plus the option of locking it into one sequence. A three position switch permits the field selection of normal duplexing action, locking in the A-B sequence, or B-A sequence.

SPECIFICATIONS

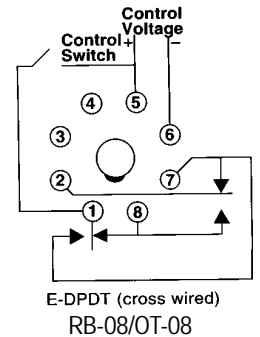
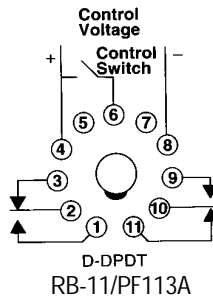
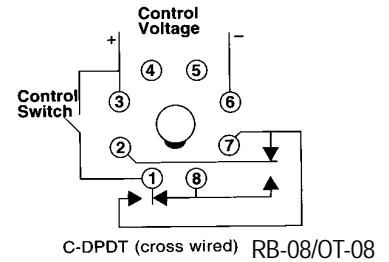
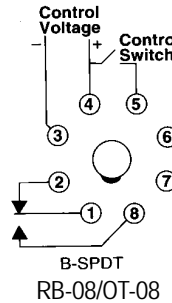
- CONTROL VOLTAGE:** 24, 120 VAC/DC, 208, 240, 480 VAC, 50/60Hz, 48 VDC, ±10%
- CONTROL SWITCH CURRENT:** 1 mA
- CONTACT RATING:** 10 Amps @ 240 VAC, Resistive 1/8 hp @ 120 VAC
1/4 hp @ 240 VAC Inductive 360 VA @ 240 VAC, Inductive
- POWER REQUIRED:** 3 VA (Approximately)
- TEMPERATURES**
Operate: -4° to 131°F (-20° to +55°C)
Storage: -40° to 185°F (-40° to +85°C)
- DUTY CYCLE:** Continuous
- LIFE EXPECTANCY**
Mechanical: 10,000,000 Operations (Minimum)
Electrical: 100,000 Operations @ Rated Load
- INDICATORS:** LED Shows Output Position
- ENCLOSURE STYLE:** "A" Lexan® Dust Cover
- TERMINATIONS:** Industrial Plug-in

NOTE

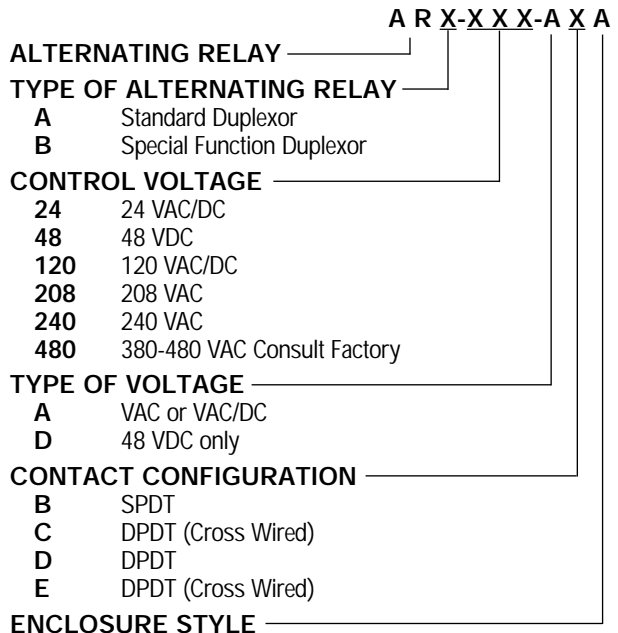
For Analog signal inputs, ATC offers a duplexing pump control — the 3800 DPM

480 VAC is not available in the D-DPDT 11-Pin configuration

WIRING



GENERAL ORDER INFORMATION CODE



ALTERNATING RELAYS AND CONTROLLERS